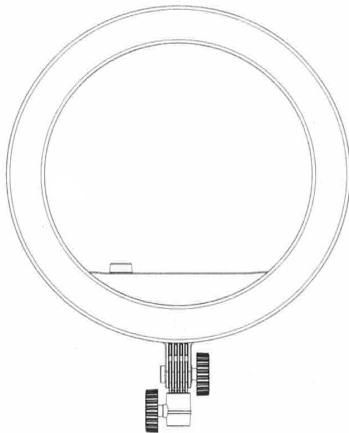


YN408
Beauty LED Light
(General user manual 5600K color temperature and 3200K-5600K color temperature)



Thank you for using the YN408 beauty LED light. Please read the manual carefully and keep this user manual properly for reference.

Function Introduction

- 1.YN408 is the new ring beauty LED light of YONGNUO, with diameter of 36cm, this model is more applicable to beauty live streaming and beauty photography. More functions, more user-friendly.
2. YN408 supports steples adjustment of color temperature from 3200K to 5600K, which helps you adjust the color temperature you need easily.
3. YN408 adopts 208 pieces of SMD LED with high brightness, high CRI and TLCI, which meets the high requirement of the color rendition of the video camera, beautifully restores the original color of the subject.
4. YN408 supports dual power input. It supports NP-F series battery and external DC power supply. It meets kinds of shooting requirements with these two power supply modes.
5. YN408 adopts YONGNUO proprietary LED constant current driving technology which does great help to effectively avoid corrugation and stroboscopic flash.
6. YN408 adopts LED digital display screen, the display effect is more stereoscopic, the output power display is more intuitive.
7. YN408 is equipped with angle-adjustable knob, which makes it convenient and efficient to adjust the lighting angle, the lighting is easier.

precautions

1. Please place the device in ventilation environment when in use.
2. Do not disassemble the product, maintenance or repair of this product should be carried through by technical maintenance personnel of our company or technical maintenance personnel authorized.
3. Do not use this product in flammable and explosive place, or where it can be exposed to moisture.
4. Please keep this product away from the children.

Product Specificaion

***5600K color temperature**

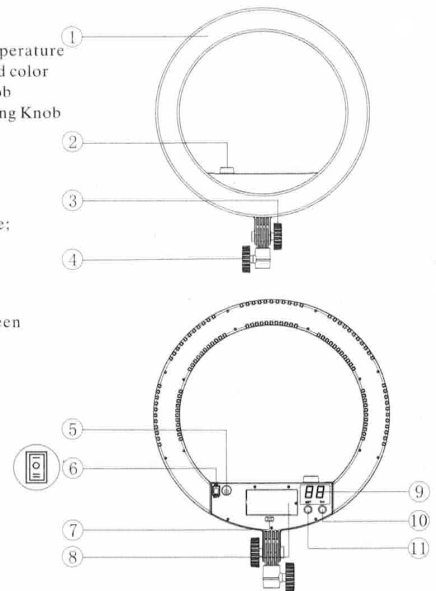
Light Source	208 piece of SMD LEDs	Luminance Angle	110°
Color Temperature	5600K	External power source	12V 2A DC power supply
Input power	24W	Average Service Life	50000H
Weight	About 1332G	Lumen	2466LM
Compatible batteries	One NP-F series battery	dimension	380*75*410MM
Contents: Beauty LED light (1) ; user manual (1) ; Power adapter (1), mobile phone stand (1). Note: please contact your dealer if the contents missing.			

***3200K-5600K color temperature**

Light Source	208 piece of SMD LEDs	Luminance Angle	110°
Color Temperature	3200K-5600K	External power source	12V 2A DC power supply
Input power	24W	Average Service Life	50000H
Weight	About 1332G	Lumen	2466LM
Compatible batteries	One NP-F series battery	dimension	380*75*410MM
Contents: Beauty LED light (1) ; user manual (1) ; Power adapter (1), mobile phone stand (1). Note: please contact your dealer if the contents missing.			

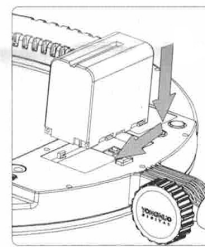
Product Structure

1. Soft light panel
2. 3200K-5600K color temperature brightness up, down and color temperature switch knob
3. Lighting Angle Adjusting Knob
4. Stand fix knob
5. DC power port
6. Power switch
- ① : DC supply mode;
② : Battery supply mode;
③ : Off.)
7. Battery latch
8. Battery container
9. LED digital display screen
10. Power Test button
11. Memory button

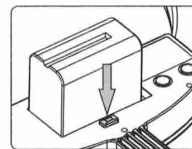


Installation and fixed

1. Install Battery
When install the lithium battery, please put the battery into battery container in the direction shown by the arrow.
Note: NP-F series battery is applicable, please remove the battery when not in use.

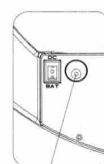


2. When removing the lithium batteries, please press the battery lock and then take out the lithium batteries.

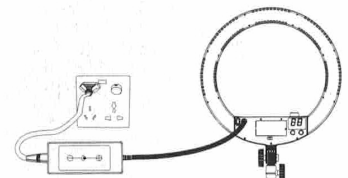


3. External Power Supply

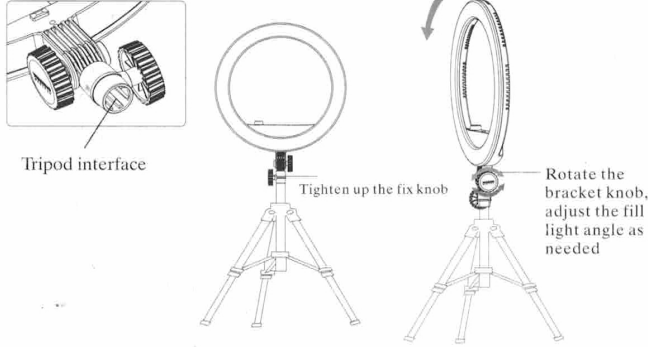
It's optional to use of YONGNUO AC adapter to help this LED video light to acquire long working hours. When using external power, please turn the switch to power supply mode, then the LED video light will cut off the battery supply and stop charging the battery. The power port is "+" inside and "-" outside, the input voltage is 12V and electric current is 2A. Note: Any product malfunction caused by using AC adapter of other brands, YONGNUO is not responsible for warranty repair.



Use by inserting the power adapter through DC power hub



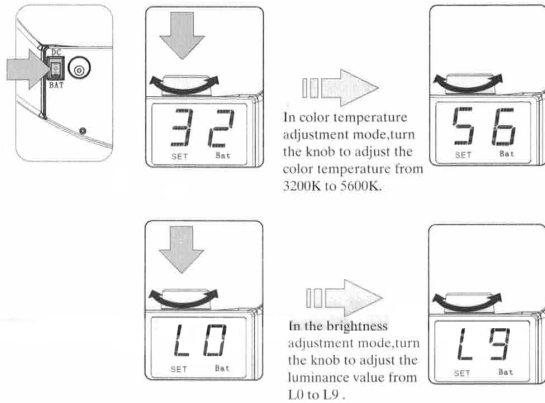
4. Use on fixed tripod



Method Application

1. Power ON-OFF and Brightness Adjustment

Please install the battery or insert the DC adapter, then press the power switch to turn on the beauty lamp, press 3200K-5600K color temperature brightness up, down or color temperature switch knob to switch brightness adjustment mode or color temperature adjustment mode, turn the knob to adjust to the brightness or the color temperature needed.



2. Power Test

Press Bat power test button, the digital tube will display the battery capacity reading. As shown in the following picture, the capacity of the left battery is 30%.
Note: The battery remaining capacity tested when the luminous intensity is low will be different from the battery remaining capacity tested when the luminous intensity is high. The battery capacity tested is how long the service time of YN408 will last under the current luminous intensity. When using the external power supply, you press the battery capacity testing button, the screen will show DC.



Capacity of battery is shown on the Nixie tube

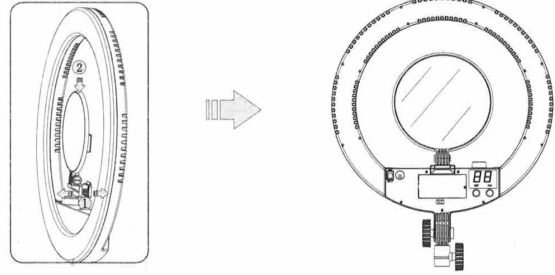
3. Memory Button

- a. After the video light adjusted to the luminance and color temperature as you need, long press the SET button until the digital tube blink twice, then the setup will be save successfully. You just need to short press the SET button when you need to adjust the video light and restore the previous settings.
- b. Long press the SET button to update the save settings.



4. Install Make-up Mirror (Accessories do not include make-up mirror, can be purchased separately)

Pull open the spring clip of the make-up mirror, then clamp the clip to the middle part of the beauty LED light for use. Note: there is a mirror on the front of it, and a mobile phone holder on the back.



Failure Analysis and Troubleshooting

When using this product, you may encounter the following problems:

Description	Cause	Troubleshooting
No reaction after power on	Low Battery	Install new batteries or connect external power supply
	Damaged circuit board	Depot repair
Inadequate or low luminance at the greatest luminous intensity	Low battery	Install new batteries or re-charge the batteries
Inaccurate battery capacity test; low battery in high luminance and full battery in low luminance.	The battery capacity indicates the length of time available for the use in the current luminance. Higher luminance required more power and the length of time available for use will be shortened, so the battery capacity shown gets lower	Normal phenomenon and no measure needed

The functions in this manual are based on the test conditions our company. Further notice will not be given if the design and specifications change.